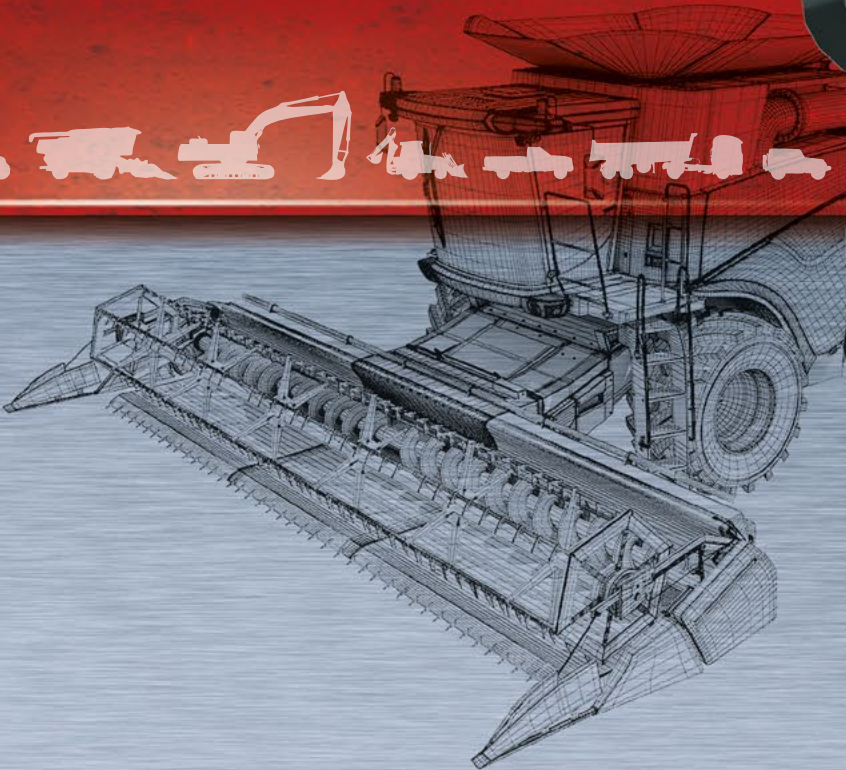




o'cuatro

advanced filtration technology



Air Filter elements



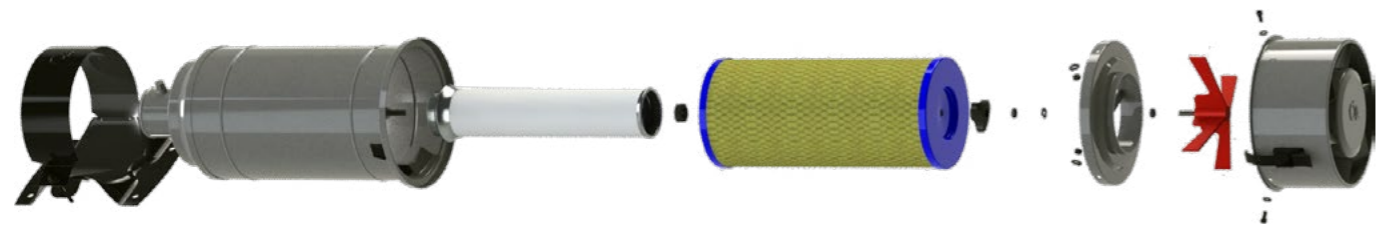
Rubber elbows, metal pipe extension, adapters for air filtration systems

ACCESSORIES



AIR FILTER ELEMENTS FOR HOUSINGS COMBINED SYSTEM (C)

o4 Housing Model	C021	C031	C051	C071	C081	C101	C121	C181	C221	C241	C251	C261	C311	C351	C431
Primary Filter	E021/E028	EP 504	EP 504	EP 070	EP 080	EP 100	EP 120	EP 180	EP 220	EP 240	EP 250	EP 260	EP 310P	EP 350	EP 430
Safety Filter	-	ES 504	ES 504	ES 070	ES 080	ES 100	ES 120	ES 180	ES 220	ES 240	ES 250	ES 260	ES 310P	ES 350	ES 430



AIR FILTER ELEMENTS FOR HOUSINGS STATIC VANES SYSTEM (KL)

o4 Housing Model	KL 4	KL 6	KL 8	KL 12	KL 15	KL 18	KL 20	KL 21	KL 28	KL 35	KL 43
Primary Filter	EP 070	EP 080	EP 120	EP 180	EP 220	EP 240	EP 250	EP 260	EP 310/P	EP 350	EP 430
Safety Filter	ES 070	ES 080	ES 120	ES 180	ES 220	ES 240	ES 250	ES 260	ES 310/P	ES 350	ES 430



1 - Metal Pipe Extensions

Model	Ø A mm (")	Ø B mm (")	H mm (")
P76 2.5	76 (3)	76 (3)	250 (9.84)
P76 3	76 (3)	76 (3)	300 (11.81)
P76 6	76 (3)	76 (3)	600 (23.62)
P76 9	76 (3)	76 (3)	900 (35.43)
P82 1.5	82 (3.25)	82 (3.25)	150 (5.90)
P102 1.5	102 (4)	102 (4)	150 (5.90)
P102 3	102 (4)	102 (4)	300 (11.81)
P102 4.5	102 (4)	102 (4)	450 (17.72)
P102 6	102 (4)	102 (4)	600 (23.62)
P102 9	102 (4)	102 (4)	900 (35.43)
P110 1.5	110 (4.33)	110 (4.33)	150 (5.90)
P110 3	110 (4.33)	110 (4.33)	300 (11.81)
P110 6	110 (4.33)	110 (4.33)	600 (23.62)
P114 3	114 (4.5)	114 (4.5)	300 (11.81)
P114 6	114 (4.5)	114 (4.5)	600 (23.62)
P133 3	133 (5.25)	133 (5.25)	300 (11.81)
P133 4.5	133 (5.25)	133 (5.25)	450 (17.72)
P133 6	133 (5.25)	133 (5.25)	600 (23.62)
P152 1.5	152 (6)	152 (6)	150 (5.90)
P152 3	152 (6)	152 (6)	300 (11.81)
P152 6	152 (6)	152 (6)	600 (23.62)
P152 8	152 (6)	152 (6)	800 (31.50)

2 - Metal pipe adapters

Model	Ø A mm (")	Ø B mm (")	H mm (")
R152 133	133 (5.25)	152 (6)	120 (4.72)
R165 133	133 (5.25)	165 (6.5)	120 (4.72)
R165 152	152 (6)	165 (6.5)	120 (4.72)
R178 152	152 (6)	178 (7)	120 (4.72)
R203 152	152 (6)	203 (8)	120 (4.72)
R229 152	152 (6)	229 (9)	120 (4.72)
R254 152	152 (6)	254 (10)	120 (4.72)
R279 152	152 (6)	279 (11)	120 (4.72)
R229 178	178 (7)	229 (9)	120 (4.72)
R254 178	178 (7)	254 (10)	120 (4.72)
R279 178	178 (7)	279 (11)	120 (4.72)
R305 178	178 (7)	305 (12)	120 (4.72)

3 - Rubber adapters

Model	Ø A mm (")	Ø B mm (")	H mm (")
RG 38 25	38 (1.50)	25 (1)	103 (4.06)
RG 51 38	51 (2)	38 (1.50)	99 (3.90)
RG 57 51	57 (2.25)	51 (2)	106 (4.17)
RG 63 51	63 (2.5)	51 (2)	106 (4.17)
RG 70 57	70 (2.75)	57 (2.25)	122 (4.80)
RG 70 63	70 (2.75)	63 (2.5)	122 (4.80)
RG 76 57	76 (3)	57 (2.25)	122 (4.80)
RG 76 63	76 (3)	63 (2.5)	122 (4.80)
RG 89 76	89 (3.5)	76 (3)	110 (4.33)
RG 102 70	102 (4)	70 (2.75)	130 (5.12)
RG 102 76	102 (4)	76 (3)	130 (5.12)
RG 127 102	127 (5)	102 (4)	140 (5.51)
RG 130 95	130 (5.12)	95 (3.75)	140 (5.51)
RG 130 102	130 (5.12)	102 (4)	140 (5.51)

4 - Rubber elbows at 90°

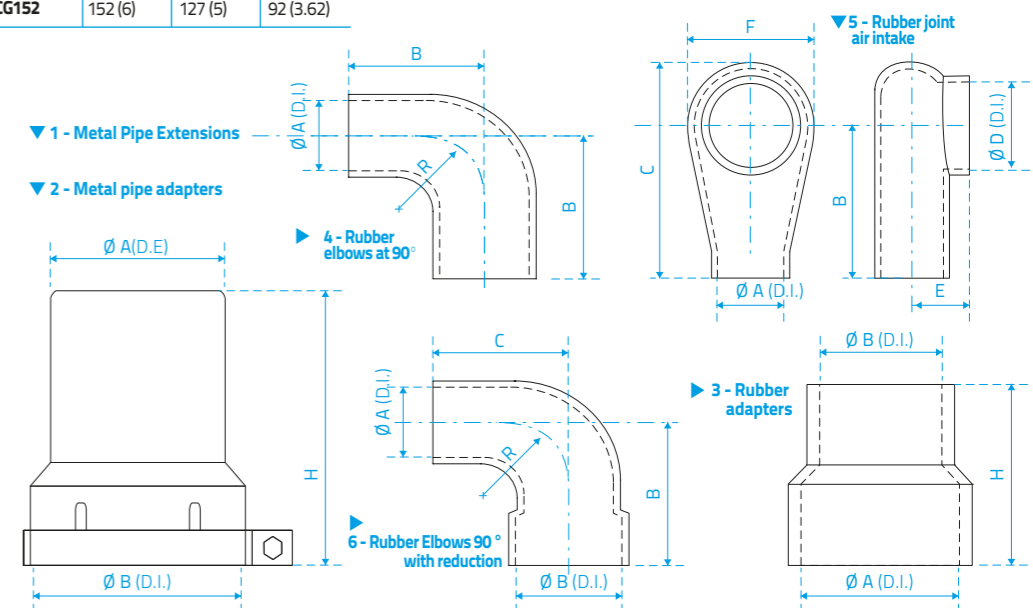
Model	Ø A mm (")	B mm (")	R mm (")
CG 57	57 (2.25)	80 (3.15)	45 (1.77)
CG 63	63 (2.5)	85 (3.35)	51 (2)
CG 70	70 (2.75)	85 (3.35)	57 (2.25)
CG 76	76 (3)	92 (3.62)	57 (2.25)
CG 102	102 (4)	97 (3.82)	67 (2.64)
CG 130	130 (5.12)	118 (4.65)	83 (3.27)
CG 133	133 (5.25)	118 (4.65)	83 (3.27)
CG152	152 (6)	127 (5)	92 (3.62)

5 - Rubber joint air intake

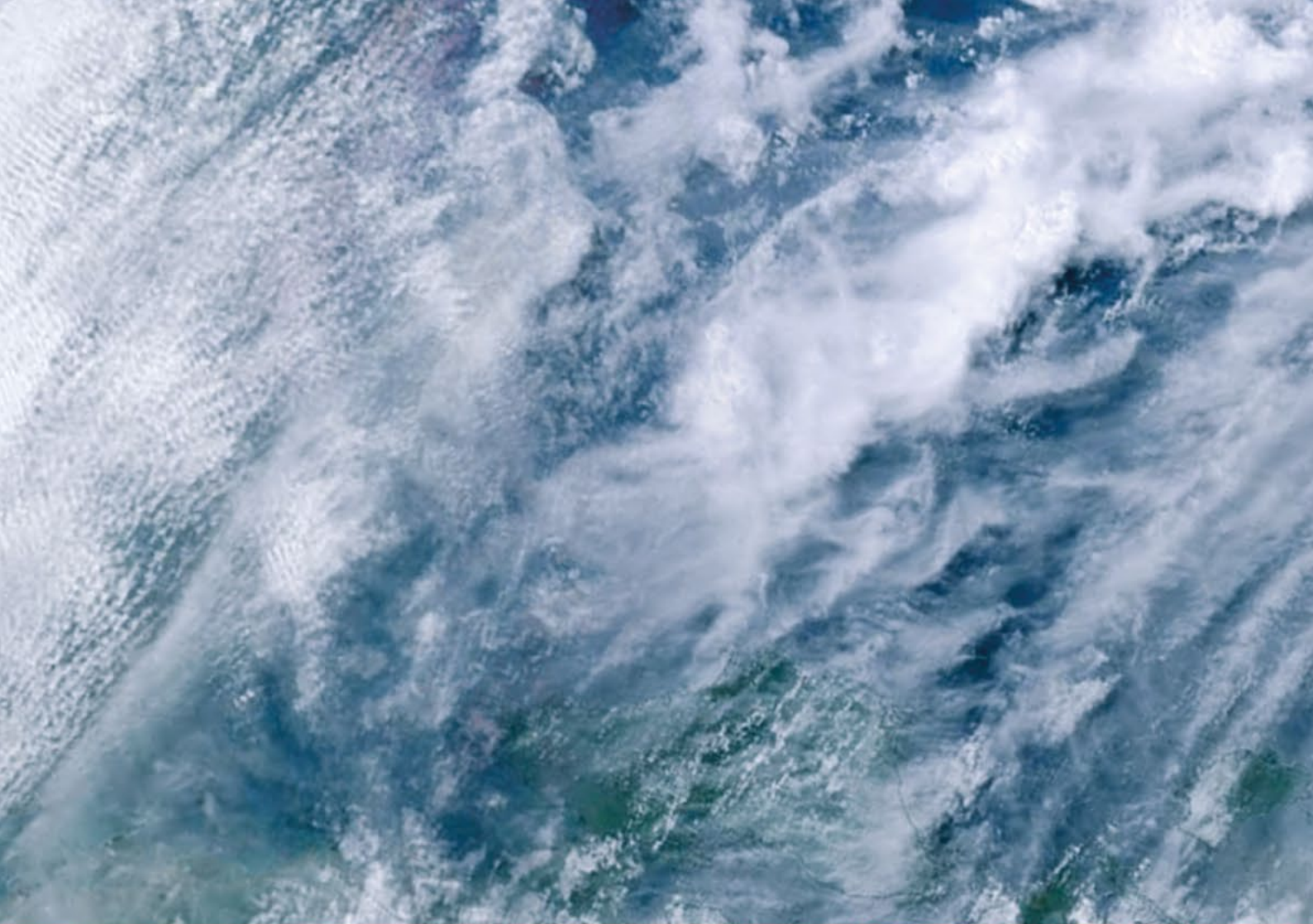
Model	Ø A mm (")	Ø D mm (")	C mm (")	B mm (")	E mm (")	F mm (")
CGS 63 51	51 (2)	63 (2.5)	168 (6.61)	109 (4.29)	58 (2.28)	116 (4.57)
CGS 63 57	57 (2.25)	63 (2.5)	168 (6.61)	109 (4.29)	58 (2.28)	116 (4.57)
CGS 70 57	57 (2.25)	70 (2.75)	168 (6.61)	109 (4.29)	58 (2.28)	116 (4.57)
CGS 70 63	63 (2.5)	70 (2.75)	168 (6.61)	109 (4.29)	58 (2.28)	116 (4.57)
CGS 76 57	57 (2.25)	76 (3)	168 (6.61)	109 (4.29)	58 (2.28)	116 (4.57)
CGS 76 63	63 (2.5)	76 (3)	168 (6.61)	109 (4.29)	58 (2.28)	116 (4.57)
CGS 76 70	70 (2.75)	76 (3)	168 (6.61)	109 (4.29)	58 (2.28)	116 (4.57)
CGS 102 70	70 (2.75)	102 (4)	177 (6.96)	112 (4.42)	63 (2.50)	122 (4.80)
CGS 102 76	76 (3)	102 (4)	177 (6.96)	112 (4.42)	63 (2.50)	122 (4.80)
CGS 130 89	89 (3.50)	130 (5.12)	234 (9.21)	145 (5.70)	80 (3.16)	167 (6.57)
CGS 130 95	95 (3.75)	130 (5.12)	234 (9.21)	145 (5.70)	80 (3.16)	167 (6.57)
CGS 130 102	102 (4)	130 (5.12)	234 (9.21)	145 (5.70)	80 (3.16)	167 (6.57)
CGS 133 89	89 (3.50)	133 (5.25)	234 (9.21)	145 (5.70)	80 (3.16)	167 (6.57)
CGS 133 95	95 (3.75)	133 (5.25)	234 (9.21)	145 (5.70)	80 (3.16)	167 (6.57)
CGS 133 102	102 (4)	133 (5.25)	234 (9.21)	145 (5.70)	80 (3.16)	167 (6.57)

6 - Rubber Elbows 90° with reduction

Model	Ø A mm (")	Ø D mm (")	R mm (")	B mm (")	C mm (")
CG 102 70	70 (2.75)	102 (4)	57 (2.25)	108 (4.25)	95 (3.74)
CG 102 76	76 (3)	102 (4)	57 (2.25)	108 (4.25)	95 (3.74)
CG 102 82	82 (3.25)	102 (4)	57 (2.25)	108 (4.25)	95 (3.74)
CG 130 102	102 (4)	130 (5.12)	67 (2.64)	117 (4.61)	105 (4.13)
CG 133 102	102 (4)	133 (5.25)	67 (2.64)	117 (4.61)	105 (4.13)
CG 152 133	133 (5.25)	152 (6)	83 (3.27)	131 (5.16)	127 (5)



Oblan S.A. reserves the right to modify the information contained in this brochure without notice. ASK FOR OTHER MODELS.



advanced filtration technology

v10.14

OBLANSA



www.ocuatro.com

Sales Office

Ave. López y Planes 4401 (S3000DNJ) Santa Fe, Rep. Argentina
+54 342 4561515 / 4556587/8 - oblan@ocuatro.com

Manufacturing Plant

Highway Santa Fe-Rosario y Route 19 (3016) Santo Tomé, Rep. Argentina
+54 342 4752800 - tecnica@ocuatro.com

